

Liquidtight STN Insulated Connectors for Liquidtight Flexible Metal Conduit

Straight and 90° for Liquidtight Flexible Metal Conduit Connections to Sheet Metal Enclosures.

NEC/CEC — Suitable for use in the following Hazardous Locations:
 Class I, Division 2 per NEC 501.10(B)(4)
 Class I, Zone 2 per NEC 505.15(C)(2)
 Class II, Division 1 per NEC 502.10(A)(2)(2)
 Class II, Division 2 per NEC 502.10(B)(2)

NEC/CEC — Suitable for use in the following Hazardous Locations:
 Class III, Division 1 per NEC 503.10(A)(3)(2)
 Class III, Division 2 per NEC 503.10(B)
 Intrinsically Safe per NEC 504.20

Applications

- For use with liquidtight flexible metal conduit in sheet metal enclosure installations.

Features

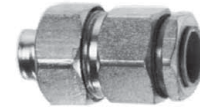
- Unique long ferrule with more pronounced threads provides over four times UL pull-out requirements.
- Ferrule provides maximum surface contact for better sealing and a continuous, permanent, positive metal-to-metal ground.
- Flame resistant, insulating insert recessed into hex-head wedge adapter protects against wire damage, without reduction in throat diameter.
- Space-saving hex-hub wedge adapter fits nearly flush against inside walls of enclosures, providing maximum wiring room.
- Liquidtight/raintight/oiltight/concretetight.
- Suitable for wet locations.

Standard Material/Finish

- 3/8" thru 1" straight: steel
- 1-1/4" thru 4" straight and 3/8" thru 1" 90°: malleable iron
- 3/8" thru 1" ferrule: steel; 1-1/4" thru 4" ferrule: aluminum
- Steel: zinc electroplate
- Malleable iron: zinc electroplate, chromate and epoxy powder coat/zinc electroplate

NEC/CEC Compliances and Certification

- UL Standard: 514B
- UL Listed: E-11853
- CSA Standard: C22.2 No. 18.3
- CSA Certified: 065178
- NEMA: FB-1

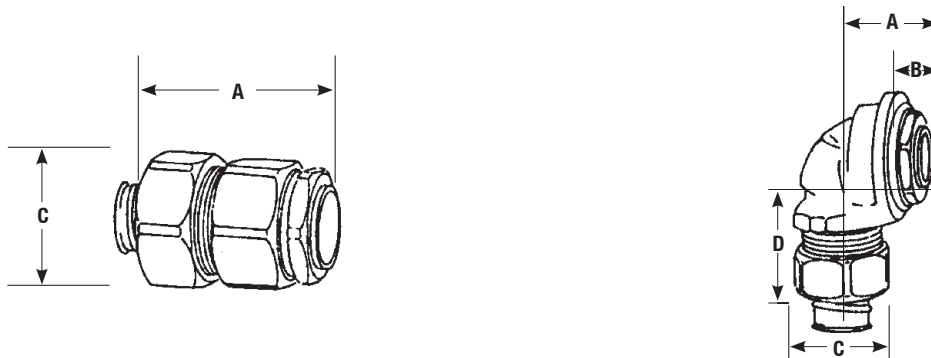


STN-38

STD Conduit Thread Size

| Flexible Conduit Size (Inches) | NPT Size |
|--------------------------------|----------|
| 3/8 | 1/2 |
| 1/2 | 1/2 |
| 3/4 | 3/4 |
| 1 | 1 |
| 1-1/4 | 1-1/4 |
| 1-1/2 | 1-1/2 |
| 2 | 2 |
| 2-1/2 | 2-1/2 |
| 3 | 3 |
| 4 | 4 |

Illustrated Dimensions



Liquidtight STN Insulated Connectors for Liquidtight Flexible Metal Conduit

Straight and 90° for Liquidtight Flexible Metal Conduit Connections to Sheet Metal Enclosures.

NEC/CEC — Suitable for use in the following Hazardous Locations:
 Class I, Division 2 per NEC 501.10(B)(4)
 Class I, Zone 2 per NEC 505.15(C)(2)
 Class II, Division 1 per NEC 502.10(A)(2)(2)
 Class II, Division 2 per NEC 502.10(B)(2)

NEC/CEC — Suitable for use in the following Hazardous Locations:
 Class III, Division 1 per NEC 503.10(A)(3)(2)
 Class III, Division 2 per NEC 503.10(B)
 Intrinsically Safe per NEC 504.20

| Size (Inches) | Millimeters (Inches) | | | | Hole Diameter | | Wall Thickness | | Weight per 100 kg (lb) | Catalog Number | |
|---|----------------------|-----------------|----------------|-----------------|----------------|-----------------|----------------------------|--------------------------|---------------------------|-------------------|------------------|
| | Dimensions | | | | Min. | Max | Min. | Max | | | |
| | A | B | C | D | | | | | | | |
| Straight | | | | | | | | | | | |
|  | 3/8 | 35.6 (1.44) | — | 28.7 (1.13) | — | 22.4 (0.88) | 23.9 (0.94) 24.6 (0.97) | 1.5 (0.06) 2.3 (0.09) | 2.0 (0.08) 6.4 (0.25) | 8.16 (18.00) | STN-38 |
| | 1/2 | 35.6 (1.44) | — | 31.8 (1.25) | — | 22.4 (0.88) | 23.9 (0.94) 24.6 (0.97) | 1.5 (0.06) 2.3 (0.09) | 2.0 (0.08) 6.4 (0.25) | 9.07 (20.00) | STN-50 |
| | 3/4 | 39.6 (1.56) | — | 38.1 (1.50) | — | 27.7 (1.09) | 29.5 (1.16) 31.0 (1.22) | 1.5 (0.06) 2.3 (0.09) | 2.0 (0.08) 6.4 (0.25) | 13.61 (30.00) | STN-75 |
| | 1 | 44.5 (1.75) | — | 45.9 (1.81) | — | 34.0 (1.34) | 35.8 (1.41) 37.3 (1.47) | 1.5 (0.06) 2.3 (0.09) | 2.0 (0.08) 6.4 (0.25) | 18.51 (40.80) | STN-100 |
| Straight | | | | | | | | | | | |
|  | 1-1/4 | 66.8 (2.63) | — | 58.7 (2.31) | — | 42.9 (1.69) | 45.2 (1.78) 46.7 (1.84) | 1.5 (0.06) 2.3 (0.09) | 2.0 (0.08) 7.9 (0.31) | 56.70 (125.00) | STN-125 |
| | 1-1/2 | 66.8 (2.63) | — | 66.8 (2.63) | — | 49.3 (1.94) | 51.6 (2.03) 53.1 (2.09) | 1.5 (0.06) 2.3 (0.09) | 2.0 (0.08) 7.9 (0.31) | 83.46 (184.00) | STN-150 |
| | 2 | 74.7 (2.94) | — | 81.0 (3.19) | — | 60.7 (2.39) | 64.3 (2.53) 65.8 (2.59) | 1.5 (0.06) 2.3 (0.09) | 2.0 (0.08) 7.9 (0.31) | 127.01 (280.00) | STN-200 |
| | 2-1/2 | 92.2 (3.63) | — | 100.1 (3.94) | — | 73.4 (2.89) | 76.7 (3.02) | 2.3 (0.09) | 7.9 (0.31) | 230.88 (509.00) | STN-250 |
| | 3 | 81.0 (3.19) | — | 111.3 (4.38) | — | 89.4 (3.52) | 92.5 (3.64) | 2.3 (0.09) | 7.9 (0.31) | 303.45 (669.00) | STN-300 |
| | 4 | 106.4 (4.19) | — | 139.7 (5.50) | — | 114.8 (4.52) | 117.6 (4.63) | 2.3 (0.09) | 7.9 (0.31) | 390.09 (860.00) | STN-400 |
| 90° | | | | | | | | | | | |
|  | 3/8 | 21.3 (0.84) | 11.2 (0.44) | 28.7 (1.13) | 38.1 (1.50) | 22.4 (0.88) | 23.9 (0.94) 24.6 (0.97) | 1.5 (0.06) 2.3 (0.09) | 2.0 (0.08) 6.4 (0.25) | 9.53 (21.00) | STN-9038 |
| | 1/2 | 21.3 (0.84) | 11.2 (0.44) | 31.8 (1.25) | 38.1 (1.50) | 22.4 (0.88) | 23.9 (0.94) 24.6 (0.97) | 1.5 (0.06) 2.3 (0.09) | 2.0 (0.08) 6.4 (0.25) | 13.61 (30.00) | STN-9050 |
| | 3/4 | 23.9 (0.94) | 12.7 (0.5) | 38.1 (1.50) | 42.9 (1.69) | 27.7 (1.09) | 29.5 (1.16) 31.0 (1.22) | 1.5 (0.06) 2.3 (0.09) | 2.0 (0.08) 6.4 (0.25) | 16.33 (36.00) | STN-9075 |
| | 1 | 27.9 (1.10) | 17.5 (0.69) | 45.9 (1.81) | 47.8 (1.88) | 34.0 (1.34) | 35.8 (1.41) 37.3 (1.47) | 1.5 (0.06) 2.3 (0.09) | 2.0 (0.08) 6.4 (0.25) | 36.29 (80.00) | STN-90100 |

COMMERCIAL AND INDUSTRIAL FITTINGS: LIQUIDTIGHT CONDUIT FITTINGS

Appleton®